



# Tungsten Carbide Oil & Gas Components

Wear Resistant Solutions



# YATECH

## **ABOUT**

With more than 20 years of experience in the tungsten carbide industry, YATECH provides the best product solutions, such as EDM blocks for precision stamping dies, Rod blanks for cutting tools, Metal cutting tools, Drawing dies for wire, Carbide rolls for steel, Wear parts for Oil and gas Components, Agricultural machinery, Mining tools, Woodworking and other industries, Tungsten powder, and more.

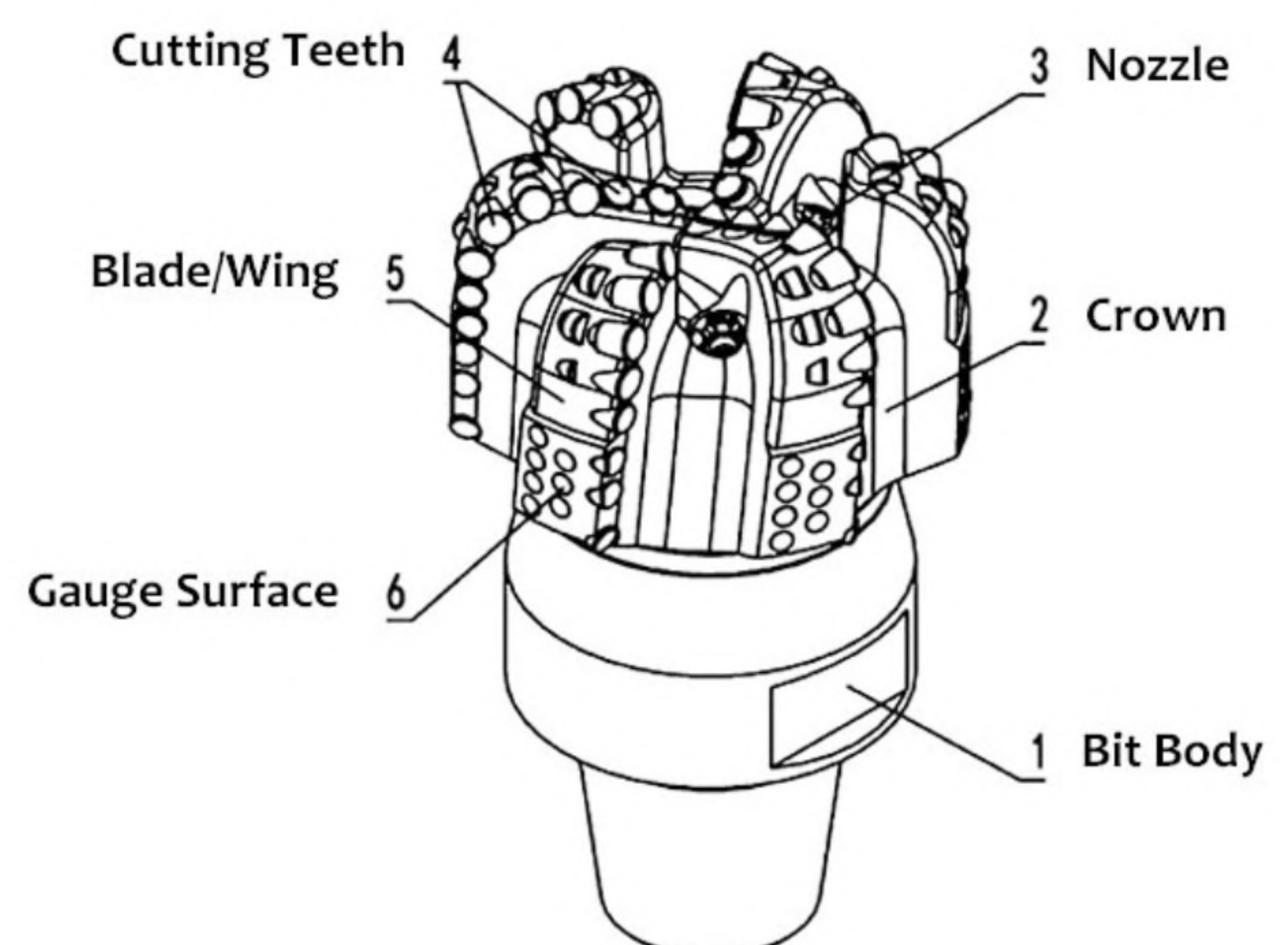
With excellent product quality and reliability, Yatech's efficient products and quality service can help you win the market.

Working with customers to develop material solutions in new areas is the cornerstone of our sustainable development.

# TUNGSTEN CARBIDE FOR DRILL BIT COMPONENTS

## Wear parts for nozzles

Carbide nozzles are mainly used for water cooling and slurry scouring of the drill bit during drilling. Used in oil and gas drilling and exploitation, chemical industry, coal chemical industry, pump valve and other industries. the reasonable material selection and ingenious design of flow channel, it effectively reduces the problem of medium pressure difference and large flow rate, thus making the product more reliable.





# TUNGSTEN CARBIDE WEAR SLEEVES & LINERS

## **Wear parts for Sleeves**

Corrosion Resistance Tungsten carbide shaft sleeve used to support rotation, centralisation, anti-thrust and sealing of components such as motor, centrifuge, protector, separator shaft in submersible pump.

Excellent wear and corrosion resistance with high form accuracy, with long service life.



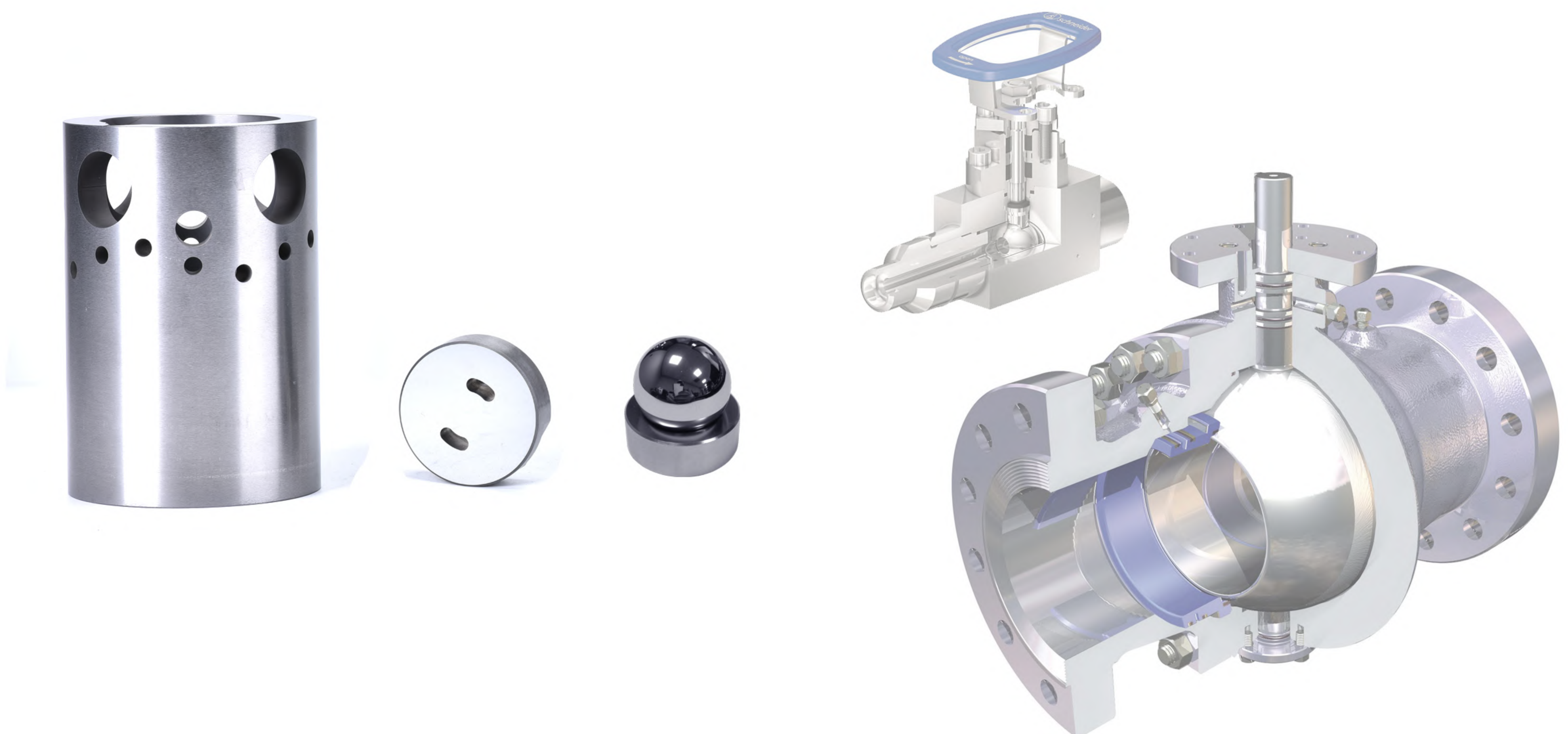


# TUNGSTEN CARBIDE STANDARD CHOKES, SEATS, & POINTS

## **Wear parts for valves**

Wear-resistant parts for valves include throttle plates, cages and other components that provide precise control of fluid volume and pressure. Various tubular and rod pumping elements are used as fixed and swing check valve balls, valve seats and other components where excellent corrosion and erosion resistance is required.

Various cobalt, nickel and nickel-titanium binder grades are available for highly corrosive applications.

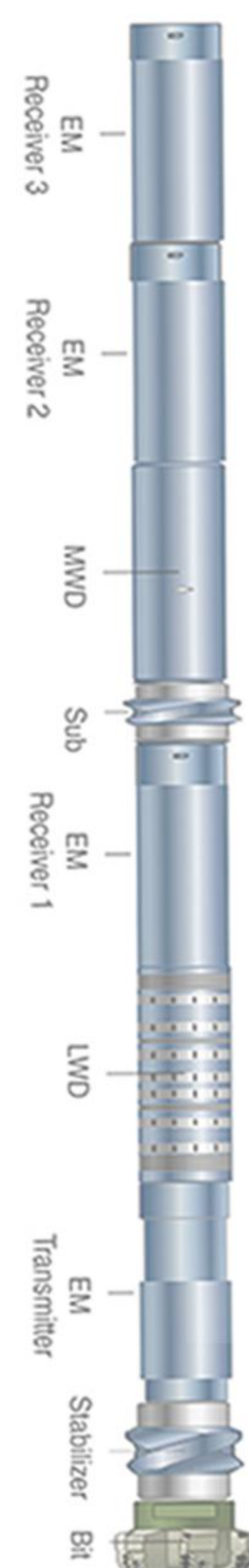


# TUNGSTEN CARBIDE MWD / LWD SYSTEMS

## Wear parts for MWD / LWD Systems

Wear-resistance tungsten carbide MWD and LWD parts for oil and nature gas ,it with high hardness,wear resistance,corrosion resistance characteristics. it mainly used in the oil industry frilling inclinometer.

MWD and LWD precision parts consist many product series:upper pan calve complete,lower pan valve,piston,bushing,nozzle of the liquid flow control and automatic push device of vertical drilling tools,etc.





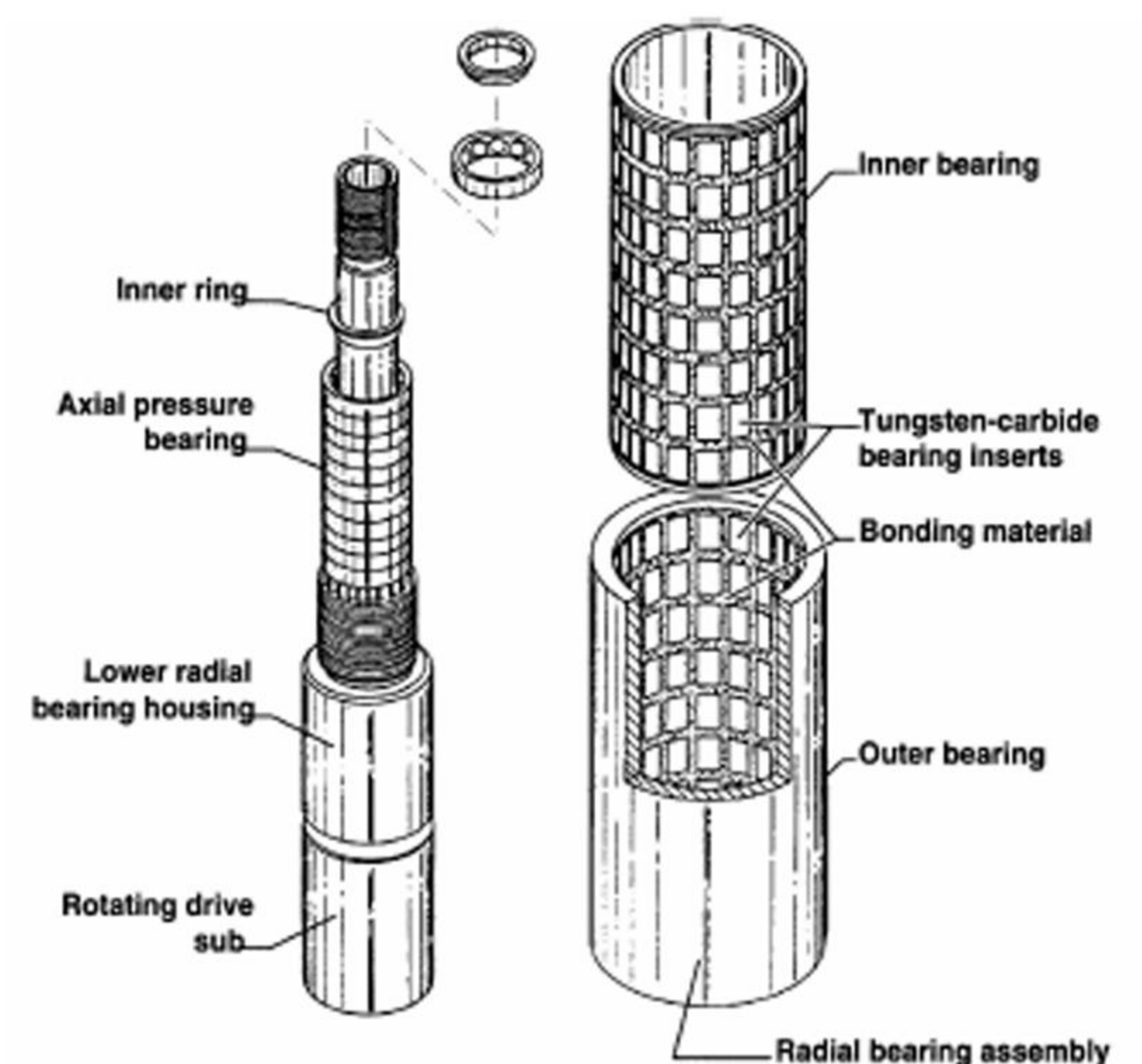
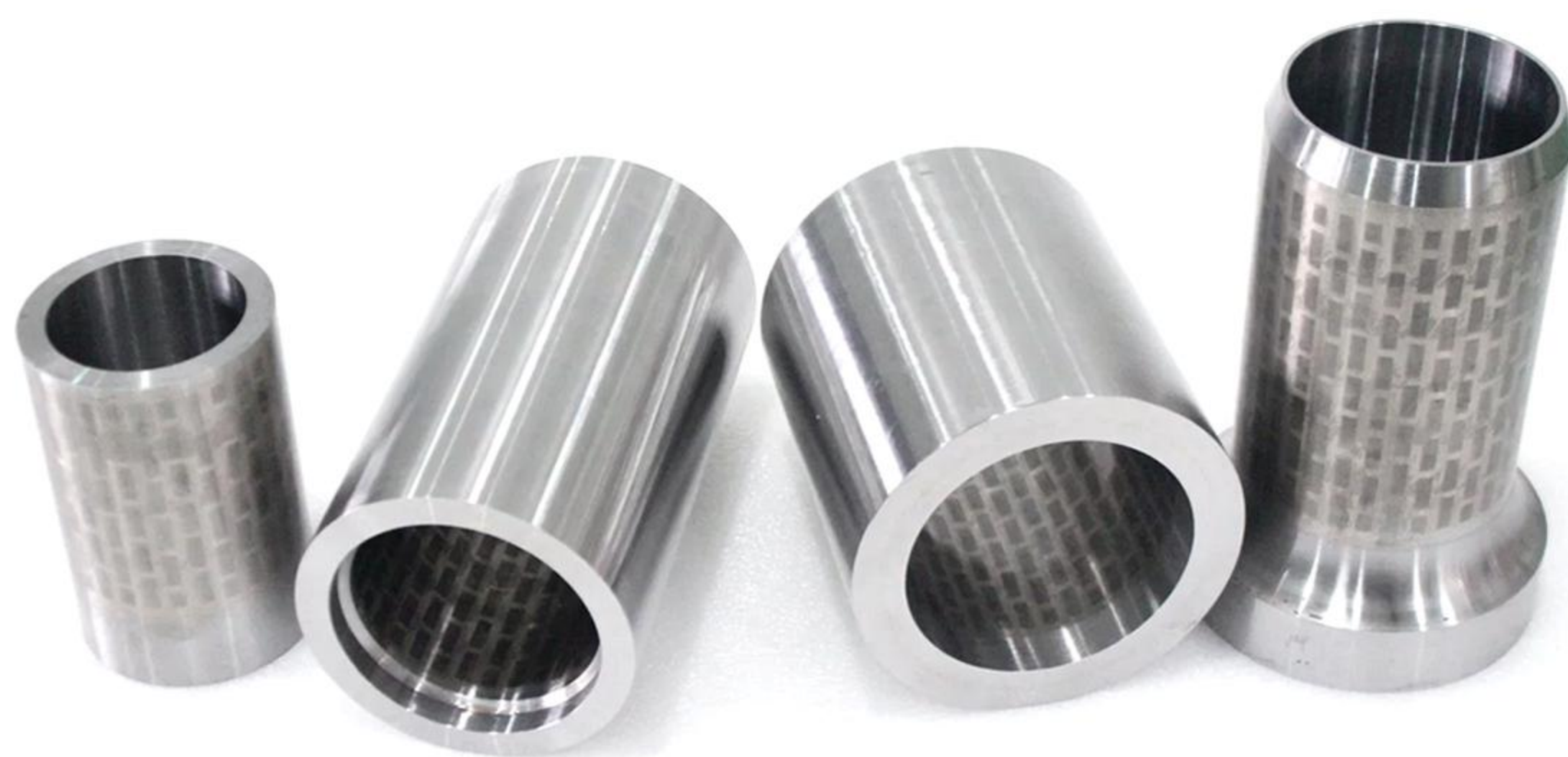
# TUNGSTEN CARBIDE RADIAL BEARINGS

## Wear parts for radial bearings

Highly wear resistant hard tungsten carbide radial bearing for downhole motor.

Exclusive plating maintains tight tolerances and remains durable under extreme heat and stress.

Advanced technology Our advanced sintering technology bonds the carbide layer tightly to the substrate, making it extremely resistant to chipping, cracking and flaking.





**JIANGXI YATECH MATERIALS CO., LTD.**

No. 358 Yangtze Avenue, Jiujiang City, Jiangxi Province, China

Tel: +86 183 0792 5403 (WhatsApp)

E-mail: [yatech@yatechmaterials.com](mailto:yatech@yatechmaterials.com)

<https://www.yatechmaterials.com>